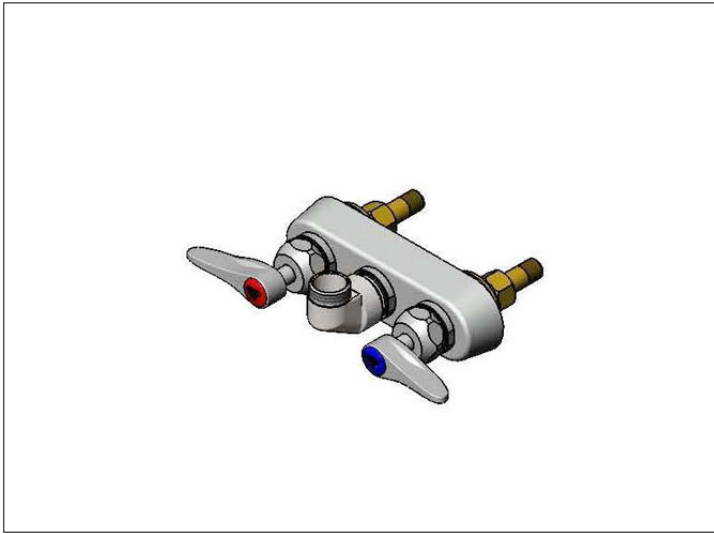




T&S BRASS

751611 - Faucet Splash Mnt 4" Ctr W/O Nozzle S/O



Long Description

Benefits

Product Specifications

Storage & Usage

Brand	Manufacturer
T&S BRASS	FELLERS/SPECIAL ORDER

MFG #	SPC #	GTIN	Pack	Pack Desc.
B-1115-LN	751611	671262009577		1/EA

Gross Weight	Net Weight	Country of Origin	Kosher	Child Nutrition
1 lb	1 lb			

Shipping Information						
Length	Width	Height	Volume	TlxHl	Shelf Life	Storage Temp From/To
12 in	12 in	12 in	1 cf	1x1	1 days	40 / 111