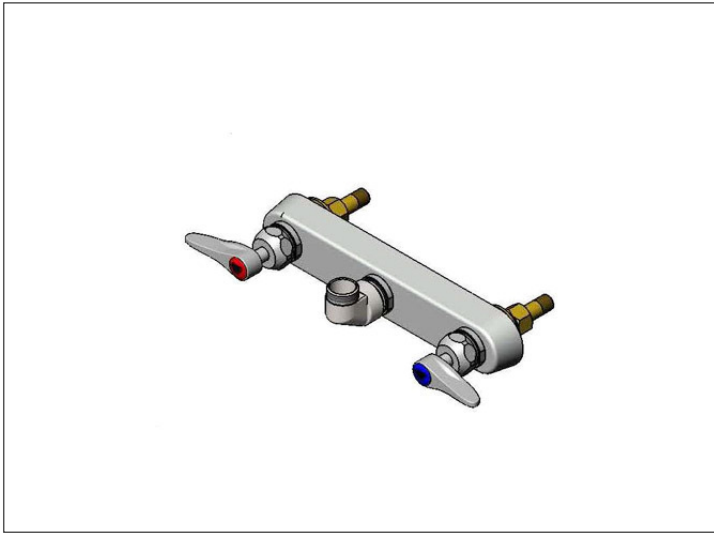




T&S BRASS

751614 - Faucet Splash Mount 8 Ctr No/ Spout S/O



Long Description

Benefits

Product Specifications

Storage & Usage

Brand	Manufacturer
T&S BRASS	FELLERS/SPECIAL ORDER

MFG #	SPC #	GTIN	Pack	Pack Desc.
B-1125-LN	751614	6.71262E+11		1/EA

Gross Weight	Net Weight	Country of Origin	Kosher	Child Nutrition
1 lb	1 lb			

Shipping Information						
Length	Width	Height	Volume	TlxHl	Shelf Life	Storage Temp From/To
12 in	12 in	12 in	1 cf	1x1	1 days	40 / 111