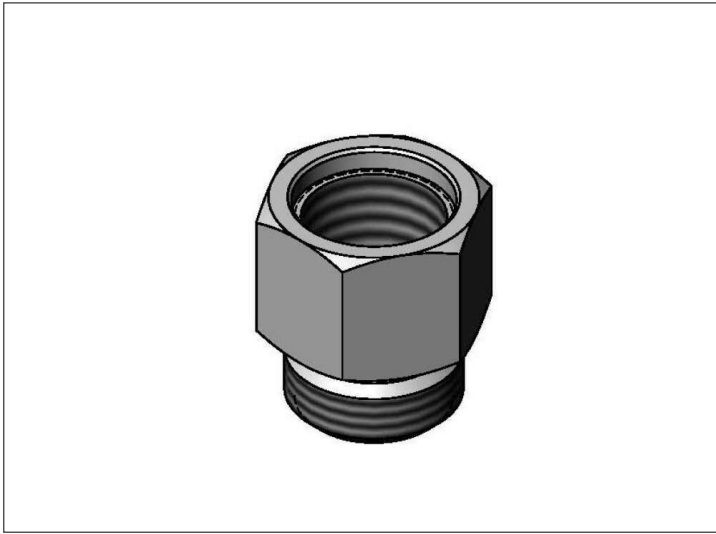




T&S BRASS

751637 - Adapter 3/8 Npt Female To 3/4 Male S/O



Long Description

Benefits

Product Specifications

Storage & Usage

Brand	Manufacturer
T&S BRASS	FELLERS/SPECIAL ORDER

MFG #	SPC #	GTIN	Pack	Pack Desc.
000546-25	751637	6.71262E+11		1/EA

Gross Weight	Net Weight	Country of Origin	Kosher	Child Nutrition
1lb	1lb			

Shipping Information						
Length	Width	Height	Volume	TlxHl	Shelf Life	Storage Temp From/To
12in	12in	12in	1cf	1x1	1days	40 / 111