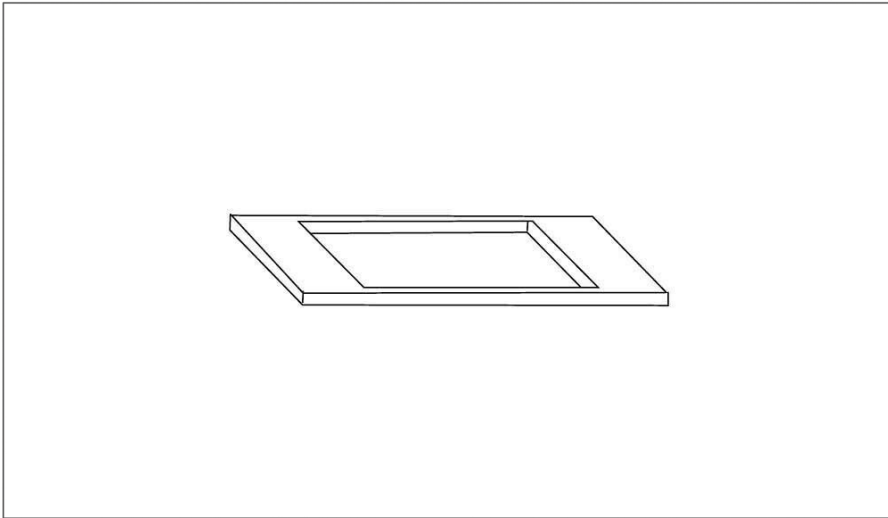




ICE O MATIC
912512 - Bin Ice Top 22" Cuber S/O



* Benefits

Nutrition Facts

Servings Per Container

Serving size

Amount per serving
Calories

% Daily Value*

Total Fat	%
Saturated Fat	%
Trans Fat	
Cholesterol	%
Sodium	%
Total Carbohydrate	%
Dietary Fiber	%
Total Sugars	
Includes Added Sugar	%
Protein	
Vitamin D	%
Calcium	%
Iron	%
Potassium	%

* The % Daily Value (DV) tells you how much a nutrient in a serving of food contributes to a daily diet. 2,000 calories a day is used for general nutrition advice.

Ingredients

⚠ Allergens

Handling Suggestions

📄 Product Specifications

Serving Suggestions

Prep & Cooking Suggestions

Brand	Manufacturer
ICE O MATIC	FELLERS/SPECIAL ORDER

MFG #	SPC #	GTIN	Pack	Pack Desc.
	912512	1111111111111		1/EA

Gross Weight	Net Weight	Country of Origin	Kosher	Child Nutrition
25 lb	22 lb		No	No

Shipping Information						
Length	Width	Height	Volume	TlxHl	Shelf Life	Storage Temp From/To
1 in	30 in	1 in	0.02 cf	1x1	0 days	40 / 111



Nutrition Analysis

Calories		Total Fat		Sodium	
Protein		Trans Fats		Calcium	
Total Carbohydrates...		Saturated Fat		Iron	
Sugars		Added Sugars		Potassium	
Dietary Fiber		Polyunsaturated Fat		Zinc	
Lactose		Monounsaturated Fat		Phosphorus	
Sucrose		Cholesterol			
Vitamin A(U)		Vitamin D		Thiamin	
Vitamin A(RE)		Vitamin E		Niacin	
Vitamin C		Folate		Riboflavin	
Magnesium		Vitamin B-6		Vitamin B-1 2	
Monosodium		Sulphites		Nitrates	

 Additional Images

